

**LAST 600S**

**manuale**

## WARNING !

### manual references

Potentially dangerous situations can occur and cause personal injuries.

Potentially dangerous situations can occur and cause damage to the equipment.

Potentially dangerous situations can occur and cause the equipment malfunction.

### symbols



WARNING !

electric voltage equipment

### general information

LAST 600S manual Version 1.0, 25/03/2010  
© by Lombardi Amplificazioni all right reserved.

The data in this manual were precisely controlled, however their accuracy cannot be guaranteed. Lombardi Amplificazioni takes no responsibility for any errors or

Imprecisions in this manual or about the products to which it refers. As a manufacturer we reserve the right to modify the products under the law provisions in order to improve the quality.  
Amplificazioni Lombardi

via G.Mengozzi 21/b, cap.47011  
Castrocaro Terme (FC) ITALY  
Telephone - fax +39 0543 767482

## precautions for use

Please read the manual carefully and observe the precautions to prevent and to avoid damages to the equipment,  
before using the products of Lombardi Amplification.  
Please keep this manual for future references.

## information

### WARNING!

In order to avoid electrical shock do not remove the top cover of the device.

Contact qualified personnel only. Disconnect the power supply when opening the device.

In order to reduce the risk of electrical shock do not use the device near water.

Do not block the air exit. Do not place near heat source. avoid damaging the power cord, do not step on it.

Disconnect the device in case of thunder-storm or when the device is used for long period of time.



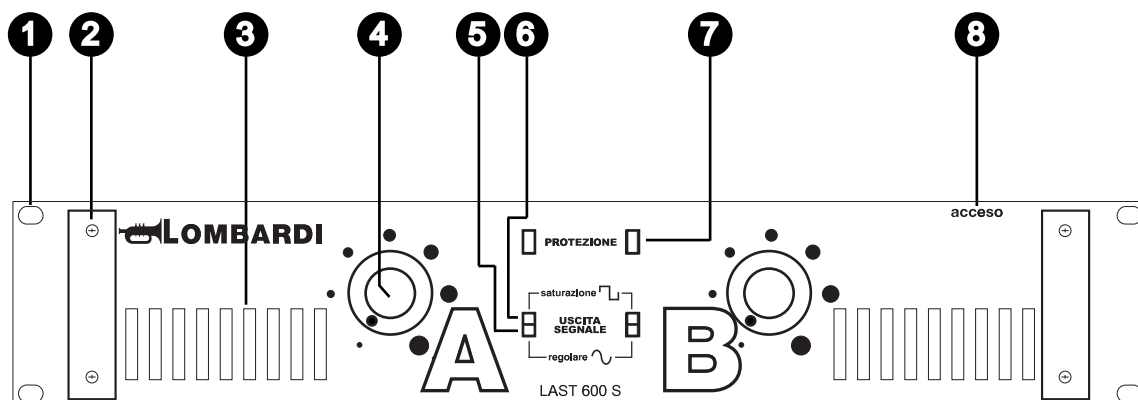
2 channels audio stereo amplifier designed to be highly efficient and to maintain accurate audio performances in the whole bandwidth even under stress condition. The high quality of its components and the handmade production guarantee the highest standards of Lombardi's made in Italy products. The audio amplifier was tested to the limit before it was placed on the market.

## technical specifications

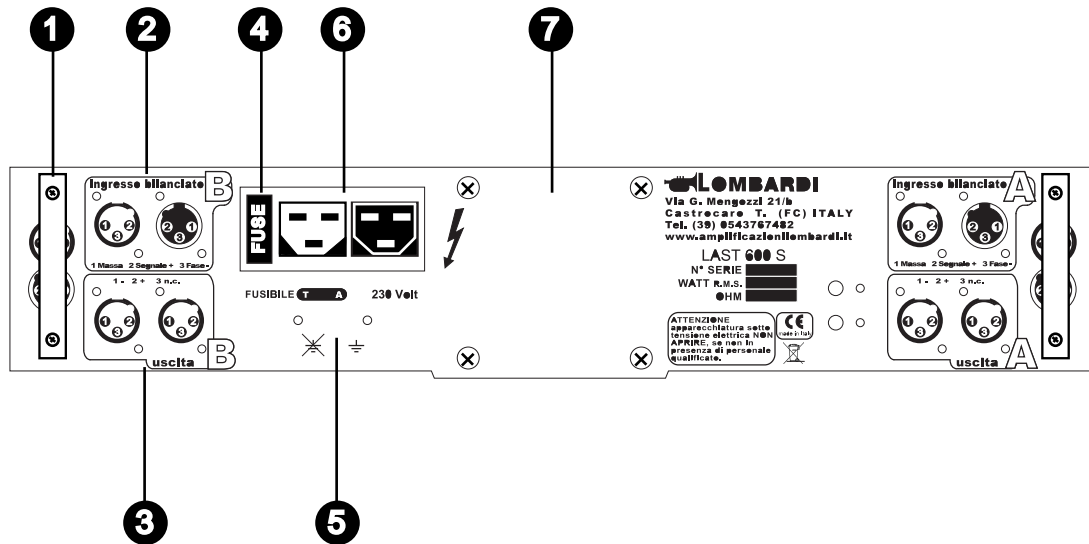
1KHz, 0.001% THD+N	
	8 Ohm Stereo
	4 Ohm Stereo
	2 Ohm Stereo
max RMS output (Volt) per channel	
max peak output (Volt) per channel	
frequency response	10Hz - 50 KHz
band width	10Hz - 50 KHz
protection	thermal separate for each channel
THD+N	< 0,01% from 20 Hz to 20 KHz
dumping factor	sopra 500 from 20 Hz eith 8 Ohm
input sensitivity and impedance	.75 V at 50 KOhm
input impedance(Bal./Unb.)	>20 KOhm / >10 KOhm
noise	-100 dB
crosstalk	< noise from 20 Hz to 10 KHz
class	AB
In-connector each channel	01 XLR male - 01 XLR female (balanced)
out-connector each channel	02 XLR male
filter	20000uF
power	220 - 240 V
supply	
ventilation	forced with 87mm fan
led indicators	protection (orange) - saturation (red) - regular (green)
transformer	toroidal
dimension	2 RACK unit
weight	13 Kg

# AMPLIFICAZIONI LOMBARDI

## front description



- |   |  |
|---|--|
| <p><b>1</b> <b>mounting on RACK</b><br/>There are two mounting holes in the front panel to mount on rack. In the rack the amplifier occupies 2 units.</p>                           | <p><b>5</b> <b>regular signal indicator</b><br/>When this led is on the amplifier works properly.</p>      |
| <p><b>2</b> <b>Handles</b><br/>the handles are used to insert or remove the amplifier from the rack.</p>  | <p><b>6</b> <b>saturation signal indicator</b><br/>When this led is on the amplifier is in saturation.</p> |
| <p><b>3</b> <b>ventilation grills</b><br/>Do not obstruct the ventilation grills, they allow the exit of the air produced by the heat sink of the transistor.</p>                   | <p><b>7</b> <b>amplifier protection</b><br/>When the led is on the amplifier is in protection mode.</p>    |
| <p><b>4</b> <b>volume potentiometer</b><br/>The potentiometer controls the channel volume.Keep the potentiometer down to the minimum when starting or switching off the device.</p> | <p><b>8</b> <b>power switch</b><br/>This switch is used for power in and off the device.</p>               |

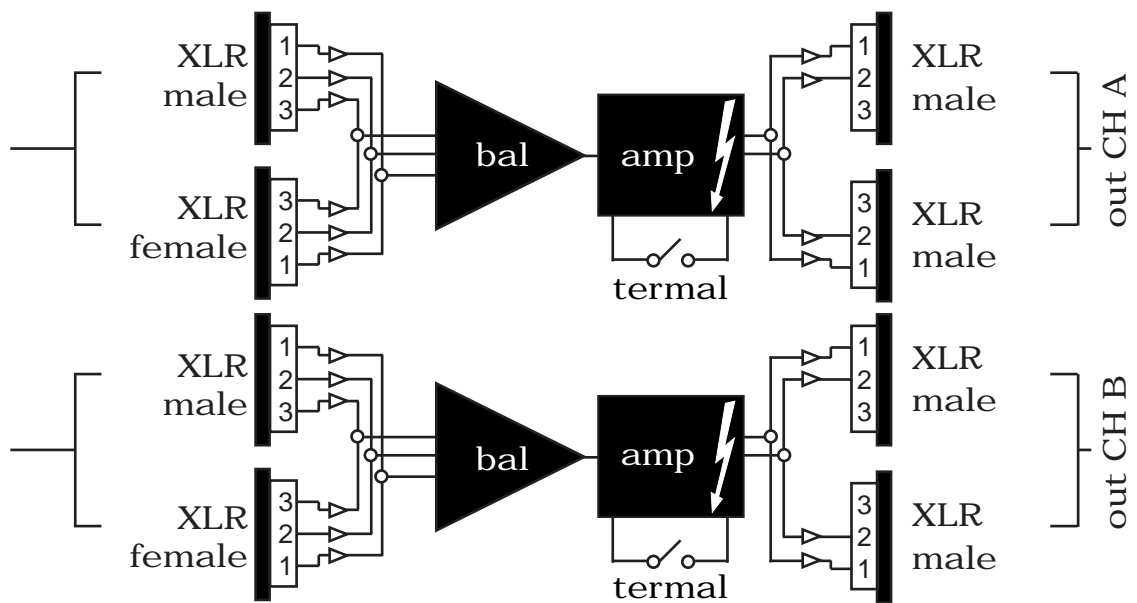


- 1** **Handles**  
the handles are used to insert or remove the amplifier from the rack.
- 2** **channel balanced input**  
1 ground 2 signal (+) 3 phase (-)  
There is a female XLR and a male XLR in order to relay the signal.
- 3** **amplified channel output**  
1- 2+ 3 NC  
There are two parallel male XLR.  
Minimum applicable load minimum 2 Ohm.
- 4** **fuse**  
device safeguard  
fuse. fuse:5 A
- 5** **switch**  
ground switch
- 6** **power supply**  
Two VDE a male one and a female one in order to power and relay the power supply of the amplifier.
- 7** **fan**  
The fan sucks the air in and pumps it out.  
Do not obstruct the air exit.

# LAST 600S

IN CH A

IN CH B



## input and connections

In the rear panel of the amplifier LAST 600S there are 2 separate channels. There is 1 input and 1 output per channel



input channel A:

XLR panel female connector

XLR panel male connector



XLR connectors are balanced and connected in parallel

1 ground - 2 signal - 3 phase



input channel B:

XLR panel female connector

XLR panel male connector



XLR connectors are balanced and connected in parallel

1 ground - 2 signal - 3 phase



amplified output channel A:

02 XLR panel male connectors

1- 2+ 3 NC

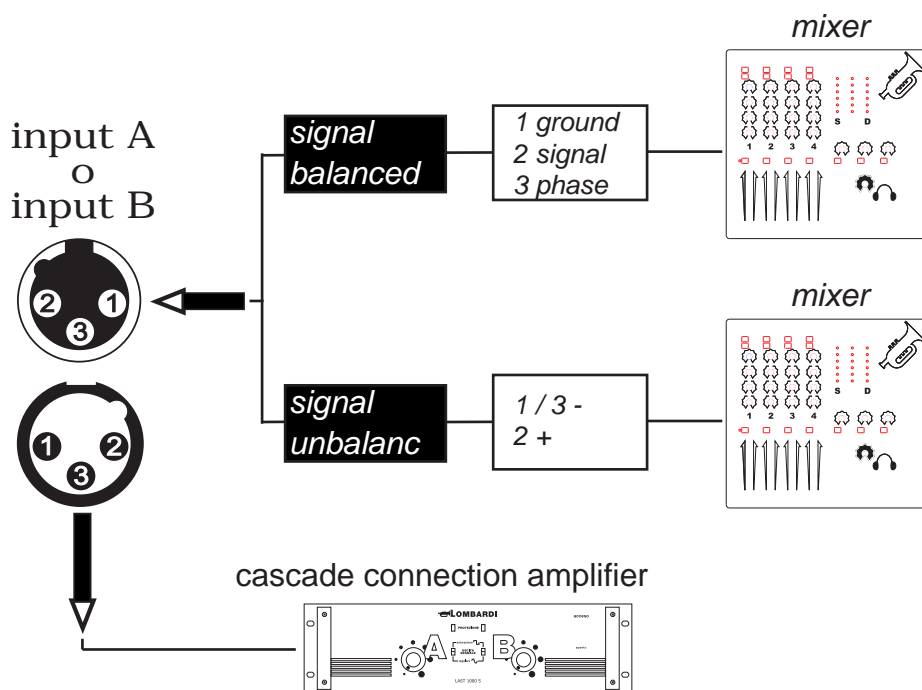


amplified output channel B:

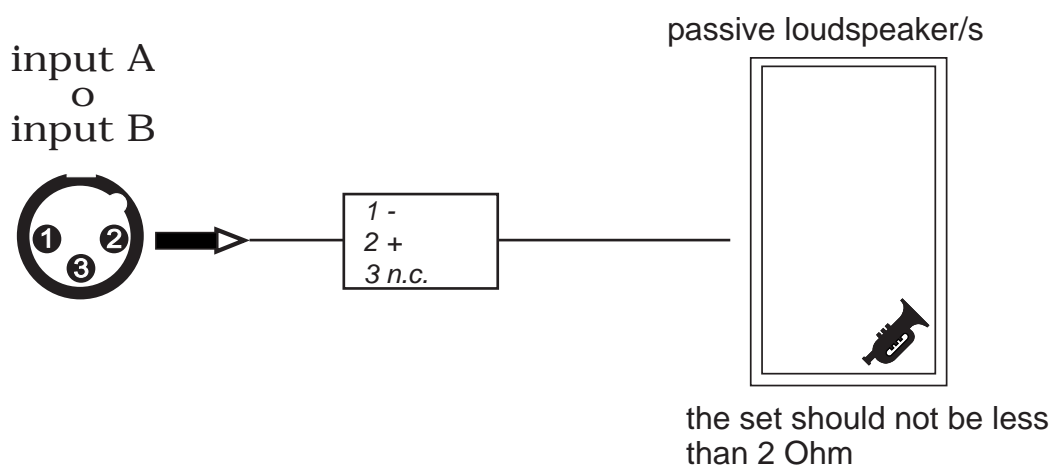
02 XLR panel male connectors

1- 2+ 3 NC

## specific use of inputs



## specific use of output



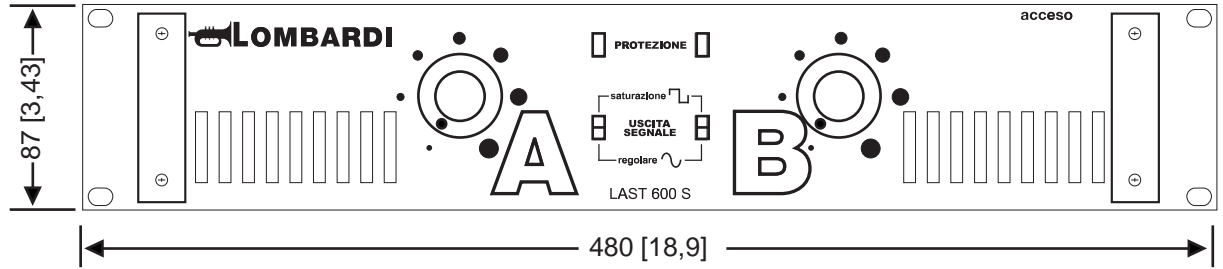


# LAST 600S

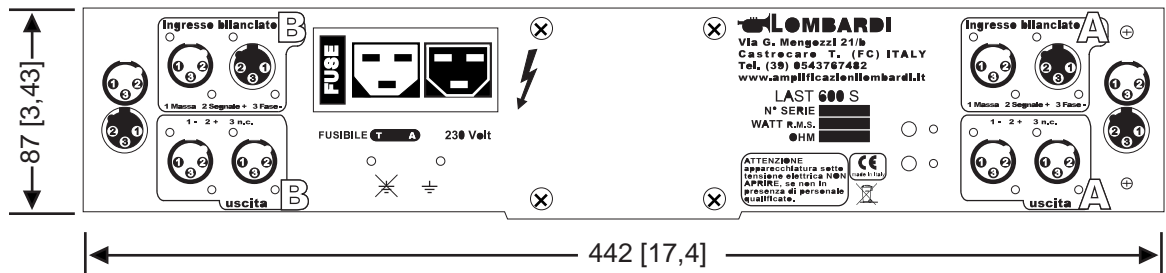
# AMPLIFICAZIONI LOMBARDI

cabinet dimension in mm [inch]

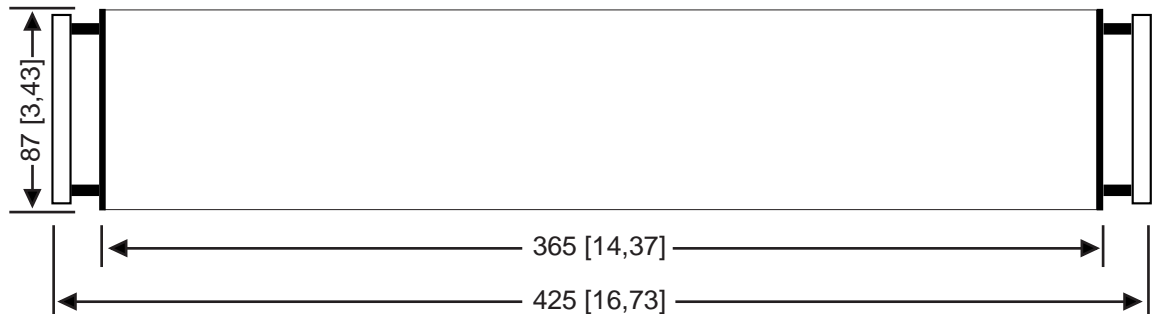
front



rear



lateral



w w w . a m p l i f i c a z i o n i l o m b a r d i . i t

# LAST 600S

# AMPLIFICAZIONI LOMBARDI

## European Community directives



This device is in conformity with the requirements of the relevant European Community directives with regard to the European Electromagnetic Compatibility Directive (EMC) 89/336/EC as amended by Directives 92/31/EC and 93/68/EC and the Low Voltage Directive (LVD) 73/23/EC as amended by Directive 93/68/EC.

This device is in conformity with the European directive 2002/95/EC as amended on the restriction of the use of certain hazardous substances in electrical and electronic equipment.



Under Directive WEEE 2002/96/EC as amended by Directive 2003/108/EC this device is marked with a crossed-out wheeled bin, as shown below. "INFORMATION TO USERS: In accordance with article 13 of the Legislative Decree No 151 of 25 July 2005, 2002/95/EC and 2002/96/EC on the restriction of the use of certain hazardous substances in electrical and electronic equipment and of the waste disposal.

The symbol of the crossed-out wheeled bin indicates that the product at the end of its useful life should be collected separately from all other waste. The user should bring the end-of-life equipment to the appropriate waste collection center of electrical and electronic equipment, or deliver it to the retailer when they buy a new equivalent equipment, at the ratio of one to one.

Separate collection of waste followed by its proper treatment and proper waste disposal can greatly improve environmental and health protection and promote the recovery and recycling of the materials of the equipment.

Illegal waste dumping shall lead to the application of the administrative penalties provided for in Legislative Decree No 22 /1997".